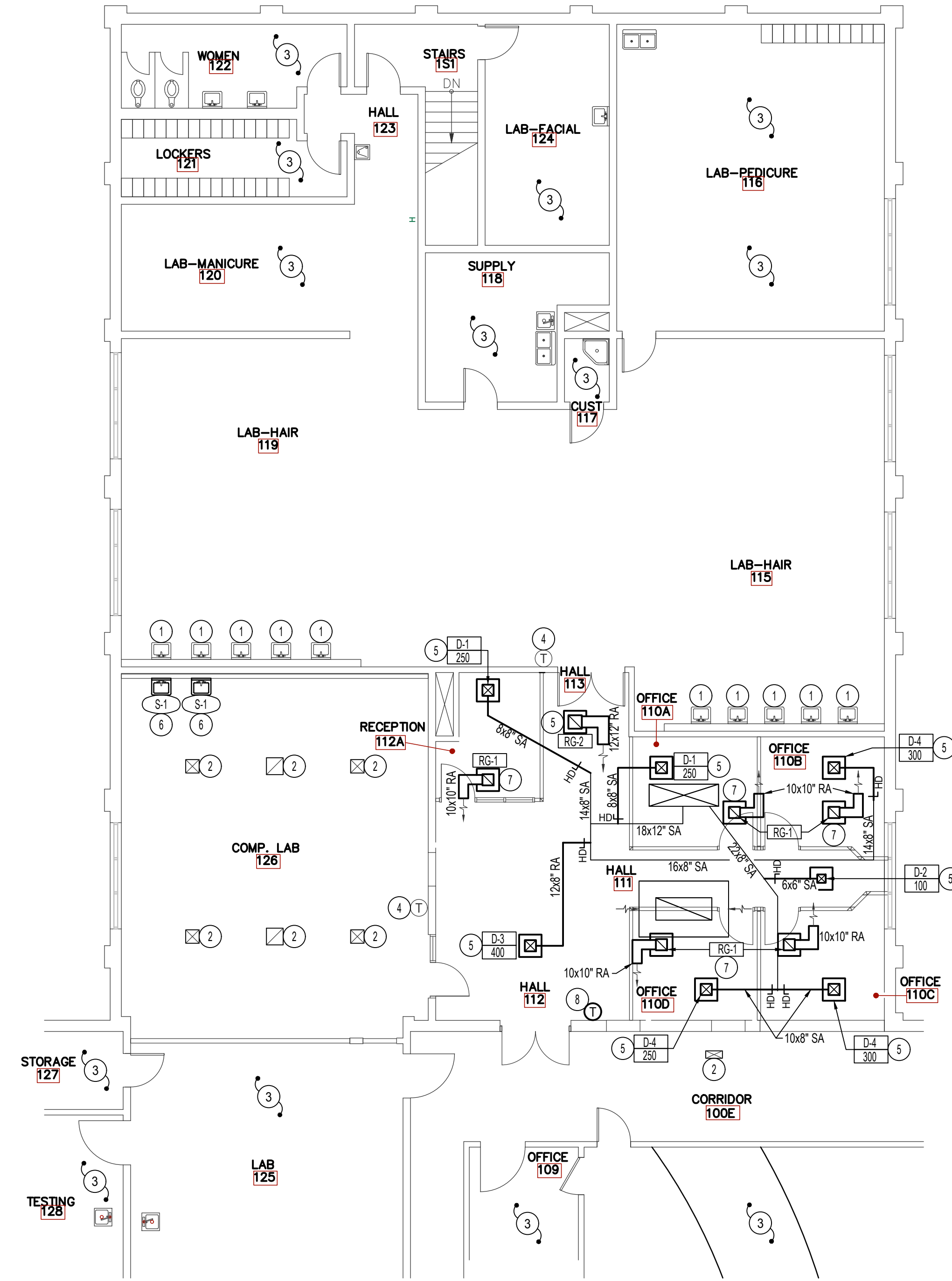
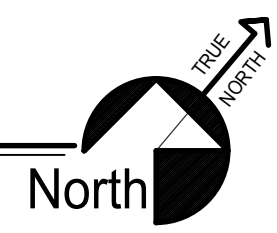


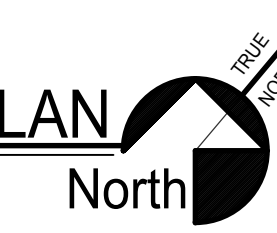
**DEMOLITION FLOOR PLAN**

SCALE: 1/8" = 1'-0"



**MECHANICAL & PLUMBING FLOOR PLAN**

SCALE: 1/8" = 1'-0"



**PLAN NOTES:**

- 1 EXISTING FIXTURE TO REMAIN. PROTECT DURING CONSTRUCTION.
- 2 EXISTING DIFFUSER/GRILLE TO REMAIN. PROTECT DURING CONSTRUCTION.
- 3 NO WORK TO BE DONE IN THIS ROOM. PROTECT DURING CONSTRUCTION.
- 4 EXISTING THERMOSTAT TO REMAIN. PROTECT DURING CONSTRUCTION.
- 5 EXISTING DIFFUSER/GRILLE TO BE REMOVED AND DISPOSED OF FOR NEW FLOOR PLAN. MODIFY EXISTING DUCTWORK AS REQUIRED FOR NEW DIFFUSERS. SEE THIS SHEET FOR NEW & DEMOED LOCATION. BALANCE TO CFM AS INDICATED ON PLANS.
- 6 DEMO WALL AS REQUIRED TO INSTALL NEW SINK. MATCH ELEVATION & INTERLOCK WASTE/VENT WITH THE EXISTING SINK ON THE OPPOSITE CORRESPONDING WALL. RUN NEW 1/2" HOT/COLD WATER LINES TO NEAREST EXISTING 1" OR LARGER IN CEILING SPACE. INSTALL AS PER ADA IF CORRESPONDING LAV IS ADA. COORDINATE WITH THE GENERAL CONTRACTOR FOR PATCHING AND REPAIR.
- 7 SEE SOUND BOOT DETAIL ON THIS SHEET.
- 8 EXISTING THERMOSTAT TO BE REMOVED AND REPLACED WITH NEW. NEW THERMOSTAT TO MATCH EXISTING AS CLOSE AS POSSIBLE. FIELD VERIFY EXISTING CONDITIONS.

**FIRE NOTES:**

- A THE CONTRACTOR SHALL FIRE CAULK ALL DUCT OR PIPE PENETRATIONS THRU FIRE RATED WALLS, FLOORS, OR CEILINGS.
- B THE CONTRACTOR SHALL INSTALL INTUMESCENT FIRE BLOCKS ON PLASTIC PENETRATIONS THRU FIRE RATED WALLS, FLOORS, OR CEILINGS.

**GENERAL NOTES:**

- A THE CONTRACTOR SHALL CHECK AND VERIFY ALL DIMENSIONS AND CONNECTIONS ON THE JOB SITE. ALL WORK SHALL BE EXECUTED FROM MEASUREMENTS TAKEN AT THE SITE.
- B THE MECHANICAL CONTRACTOR SHALL BE RESPONSIBLE TO INSURE PROPER CODE CLEARANCES FOR ELECTRICAL AND MECHANICAL ACCESS WHEN INSTALLING ANY EQUIPMENT SUPPLIED BY THE MECHANICAL CONTRACTOR.
- C IT IS CRITICAL THAT THIS CONTRACTOR COORDINATE EQUIPMENT LOCATIONS WITH PIPING, DUCTWORK, ELECTRICAL CONDUIT AND BUILDING STRUCTURE TO INSURE CODE COMPLIANCE.
- D CEILING DIFFUSERS ARE SHOWN IN APPROXIMATE LOCATIONS. REFER TO LIGHTING PLANS AND REFLECTED CEILING PLAN FOR EXACT LOCATIONS.

**MECH. LEGEND**

SYMBOL	DESCRIPTION
(T)	ELECTRONIC THERMOSTAT
(FC)	EQUIPMENT SYMBOL
(---)	MECH. EQUIPMENT TO BE REMOVED OR RELOCATED
(HD)	HAND DAMPER
(RBD)	ROUND BRANCH DUCT WITH HAND DAMPER
(ESW)	EXPOSED SPIRAL WOUND DUCTWORK
(TV)	TURNING VANES
(DT)	DUCT TRANSITION
(IFD)	INSULATED FLEXIBLE DUCT
(RA)	RETURN AIR OR EXHAUST GRILLE
(CD)	CEILING DIFFUSER
(CM)	CEILING MOUNTED EXHAUST FAN

**IDOPL APPROVAL**

REVISIONS:

DATE: MAY 2022

DRAWING NO. **MP1.0**

JOB NO. 2124

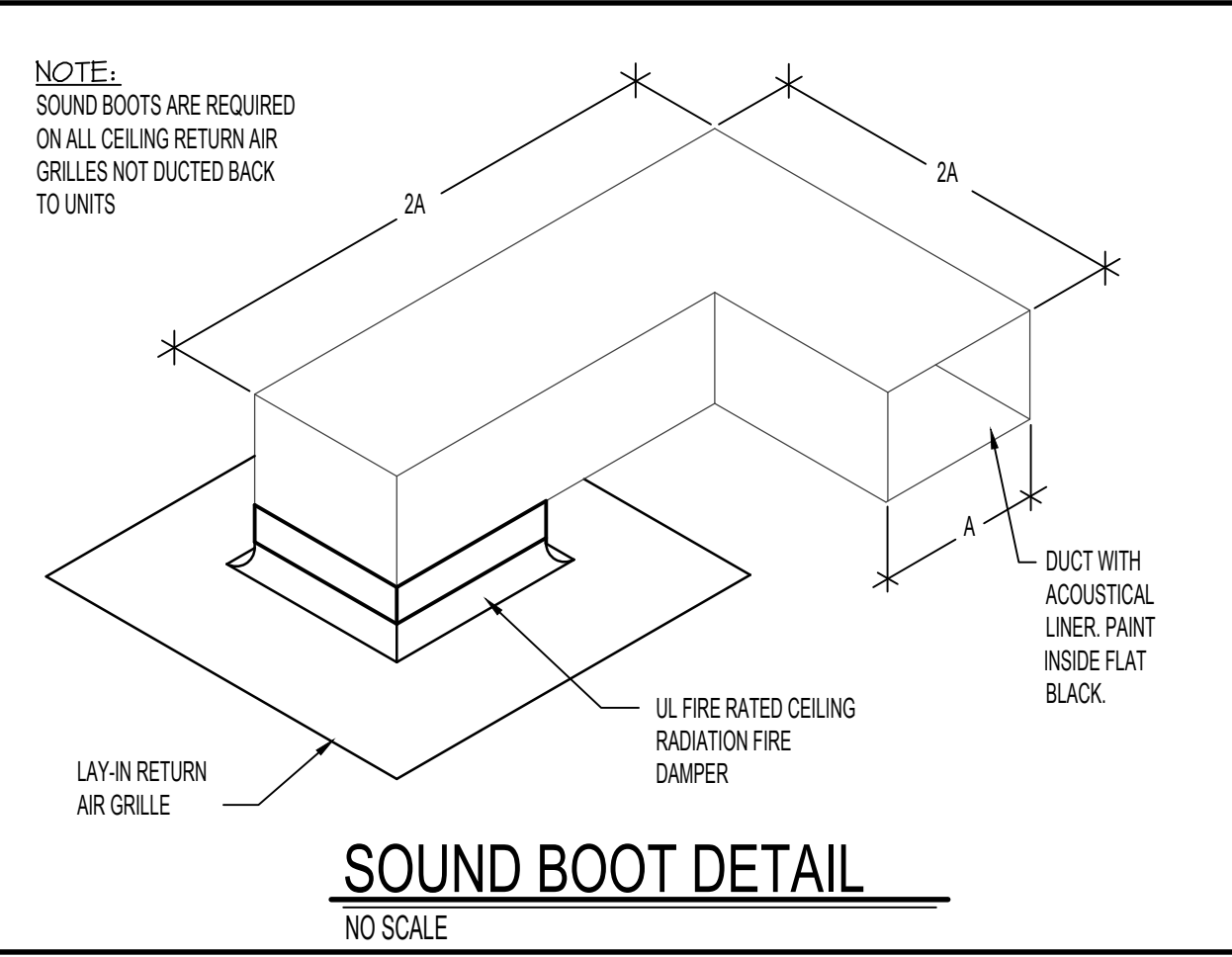
1 OF 1

**GRILLE AND REGISTER SCHEDULE**

SYM.	TYPE	SIZE	CFM RANGE	THROW PATTERN	CONSTR.	FINISH	FIRE DAMPER	REMARKS
D-1 CFM	CEILING	12x12	250-300	(Symbol)	STEEL	WHITE	NA	PRICE MODEL SMD IN 24x24 LAY-IN
D-2 CFM	CEILING	9x9	100	(Symbol)	STEEL	WHITE	NA	PRICE MODEL SMD IN 24x24 LAY-IN
D-3 CFM	CEILING	12x12	450	(Symbol)	STEEL	WHITE	NA	PRICE MODEL SMD IN 24x24 LAY-IN
D-4 CFM	CEILING	12x12	250-300	(Symbol)	STEEL	WHITE	NA	PRICE MODEL SMD IN 24x24 LAY-IN
RG-1	CEILING	12x12	250-300	NA	STEEL	WHITE	NA	PRICE MODEL 535 IN 24x24 LAY-IN
RG-2	CEILING	15x15	500	NA	STEEL	WHITE	NA	PRICE MODEL 535 IN 24x24 LAY-IN

**FIXTURE SCHEDULE**

SYM.	DESCRIPTION	HOT	COLD	WASTE	VENT
S-1	WALL HUNG SINK - PROVIDED BY OWNER. INSTALL AND PROVIDE WATTS SERIES LFUSG-B MIXING VALVE, K-7715 OPEN GRID STRAINER WITH OFFSET WASTE LINE, 1/2" STOPS AND 1-1/4" P-TRAP. ELEVATION OF SINK TO MATCH CORRESPONDING SINK ON OPPOSITE WALL.	1/2"	1/2"	1-1/2"	1-1/2"



**JENSEN HAYES SHROPSHIRE ARCHITECTS, P.A.**

125 NORTH GARFIELD  
POCATELLO, IDAHO 83204  
(208) 232-1223

**JENSEN HAYES SHROPSHIRE ARCHITECTS, P.A.**

**COSMETOLOGY MINOR REPAIRS  
RFC COMPLEX BLDG 48 - IDAHO STATE UNIVERSITY  
777 MEMORIAL DRIVE, POCATELLO, IDAHO**

**MECHANICAL & PLUMBING FLOOR PLAN**

PROFESSIONAL ENGINEER  
LICENSED  
Tanner C. Davis  
STATE OF IDAHO  
MAY 13, 2022

**Engineered Systems Associates**  
1355 EAST CENTER  
POCATELLO, IDAHO 83201  
PHONE: (208) 233-0501  
FAX: (208) 233-0529  
EMAIL: esa@engsystems.com  
ESA JOB NUMBER: 22066

\\esa.local\F\_C\dw\22066\_SU\_Cosmetology.dwg Sep 16, 2022 - 5:02pm